

L i t t r o n T o t a l L a s e r C a p a b i l i t y

bernoulli
bernoulli
bernoulli
bernoulli
bernoulli
p l v



bernoulli
bernoulli
bernoulli
bernoulli

PIV

Lower the pressure in your PIV experiments.

From wind tunnels to wind farms the **bernoulli™** is suited to operation in almost any environment.

Rugged

Vibration and shock proof - for use in rough environments.

Fully sealed laser head - protection from dust and moisture.

Ruggedized oscillator - fixed mirror design adds to oscillator alignment stability.

Reliable

2 Year warranty includes Optics, PSU & Laser head.

2 Year warranted alignment and overlap - All components locked into position in a separate compartment.

Portable

Ability to operate in all orientations.

Compact size - strengthened and lightened aluminium monolithic body.

Fast connections at the laser head and PSU - easy to transport and set-up.

Intelligent

MOBIUS™ - Microprocessor control and monitoring of all laser parameters.

Standardised PSU - Mobius™ configures the PSU to the laser head.

Accurate internal pulse generator - No third party timing equipment required.

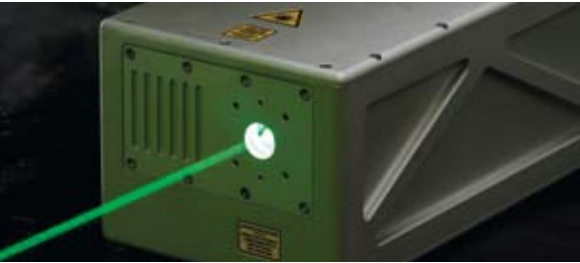
Easy to Use

Auto start up and touch screen control.

LUCi™ remote interface - provides all functions at the touch of a button.

Motorised attenuator fitted as standard - 1000 step energy control.

Alignment mode - sets attenuator to allow alignment of external optics.



*The **bernoulli™** PIV from Litron is the most advanced 'plug and play' PIV laser system available today. It benefits from Litron's years of experience in this field and the expertise gained from being the World's leading PIV laser manufacturer.*



PERFORMANCE SPECIFICATION

Model	B-PIV 200-15	B-PIV 135-15	B-PIV 120-20	B-PIV 100-25
Wavelength (nm)	532nm			
Pulse repetition rate (Hz)	0-15	0-15	0-20	0-25
Pulse energy @ 532nm (mJ) ⁽¹⁾	200	135	120	100
Pulse to pulse energy stability (%pk-pk)	<2			
Pulse width (ns) ⁽²⁾	≤10			
Near field beam diameter (mm)	6.5	5	5	5
Beam divergence (mrad) ⁽³⁾	<3.5			
Shot to shot pointing stability (µrad)	<100			
Far field beam overlap (µrad)	±100			
Near field beam overlap (µm)	±100			
Polarisation	Linearly polarised, vertical plane			
Spectral Purity (%)	>99.5%			
System requirements				
Power input (VAC)	110-250 (50-60Hz)			
Operating ambient (°C)	10 to 30			
Storage ambient (°C) ⁽⁴⁾	5 to 50			
Coolant	Deionised Water			
External trigger	5V TTL			
Standard umbilical length (m)	2.5			
System Data				
Laser head warranty	24 Months			
PSU warranty	24 Months			
Flash lamp warranty	100 Million Shots/24 Months			
Laser head sealing ⁽⁵⁾	IP67			
Laser PSU sealing	IP21			

(1) Per laser at maximum rep. rate.

(2) At maximum energy 532nm (FWHM)

(3) Full angle for 90% of the output energy.

(4) All cooling water removed.

(5) With suitable connector set as an option, not suitable for full immersion.

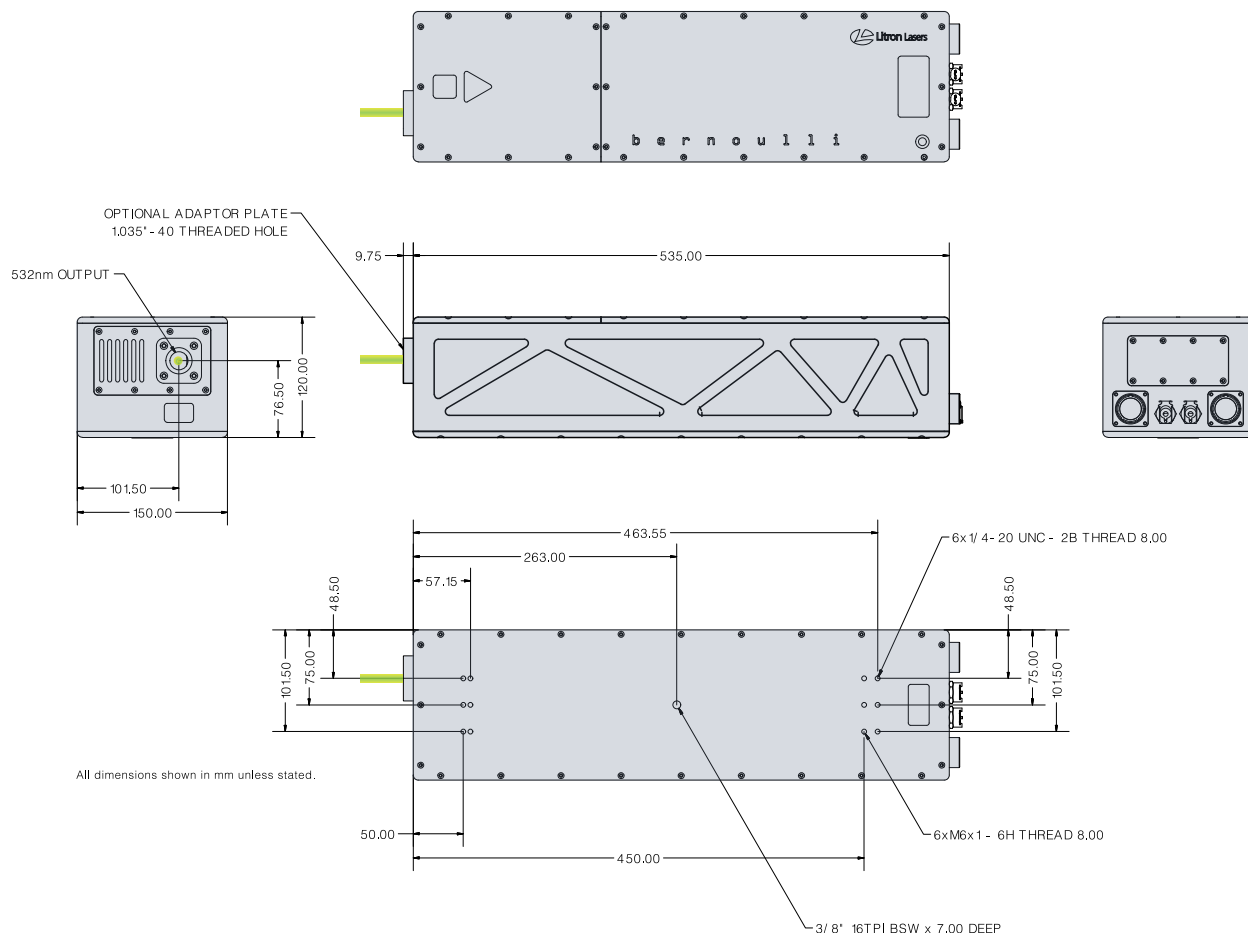
High Frequency Options - 50Hz and 100Hz variants are also available.



Our policy is to improve the design and specification of our products. The details given in this document are not to be regarded as binding.

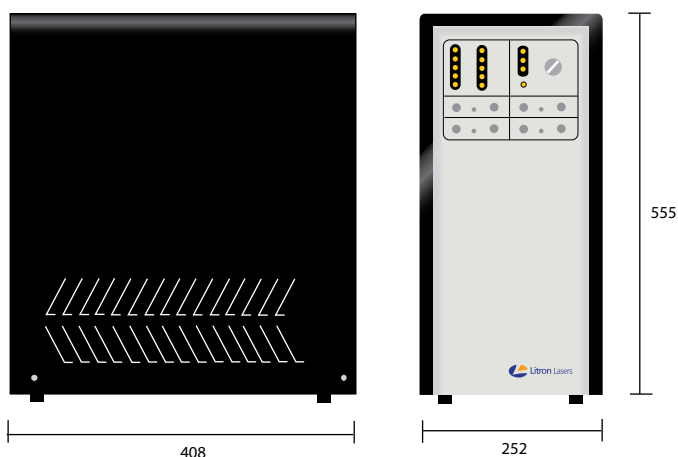
DIMENSIONAL SPECIFICATION

Laser Head



LPU550 Power Supply

LUCi Remote Controller



HEAD OFFICE
Litron Lasers Ltd
 8 Consul Road
 Rugby
 Warwickshire CV21 1PB
 England

NORTH AMERICAN OFFICE
Litron Lasers North America
 2449 Arnica Drive
 Bozeman
 MT 59715
 USA

T +44 (0)1788 574444
 F +44 (0)1788 574888
 E sales@litron.co.uk

T +1 (406) 522 7566
 F +1 (406) 522 7567
 E sales@litronlasers.com

www.litronlasers.com

